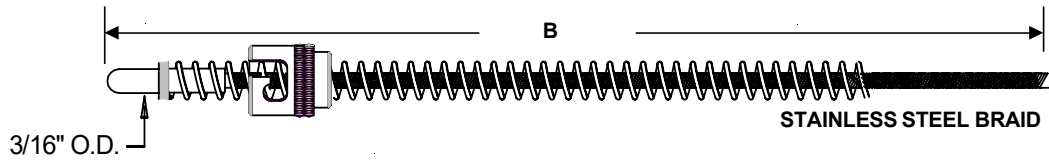
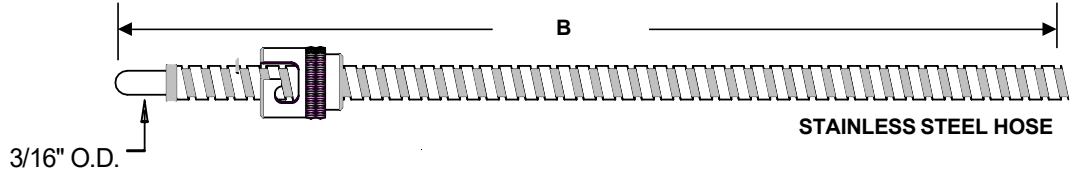


# ADJUSTABLE BAYONET STYLE THERMOCOUPLES AND RTDs

**A500**

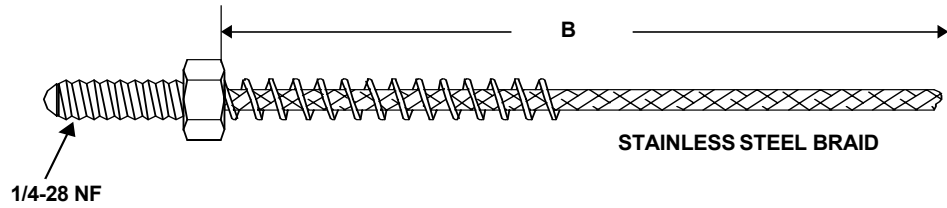


**A510**

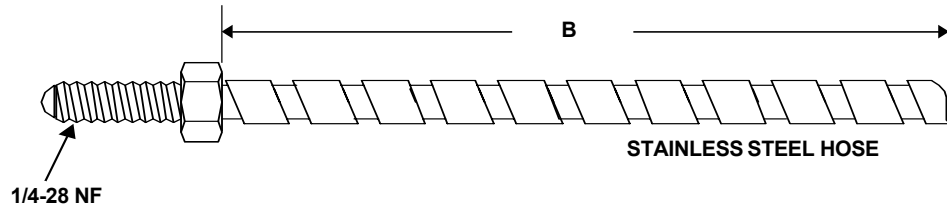


## NOZZLE STYLE

**A300**



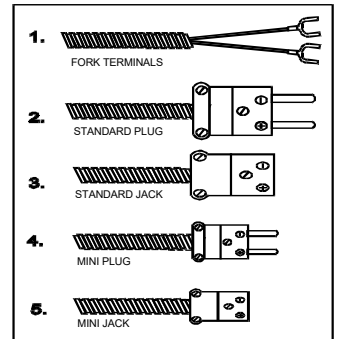
**A310**



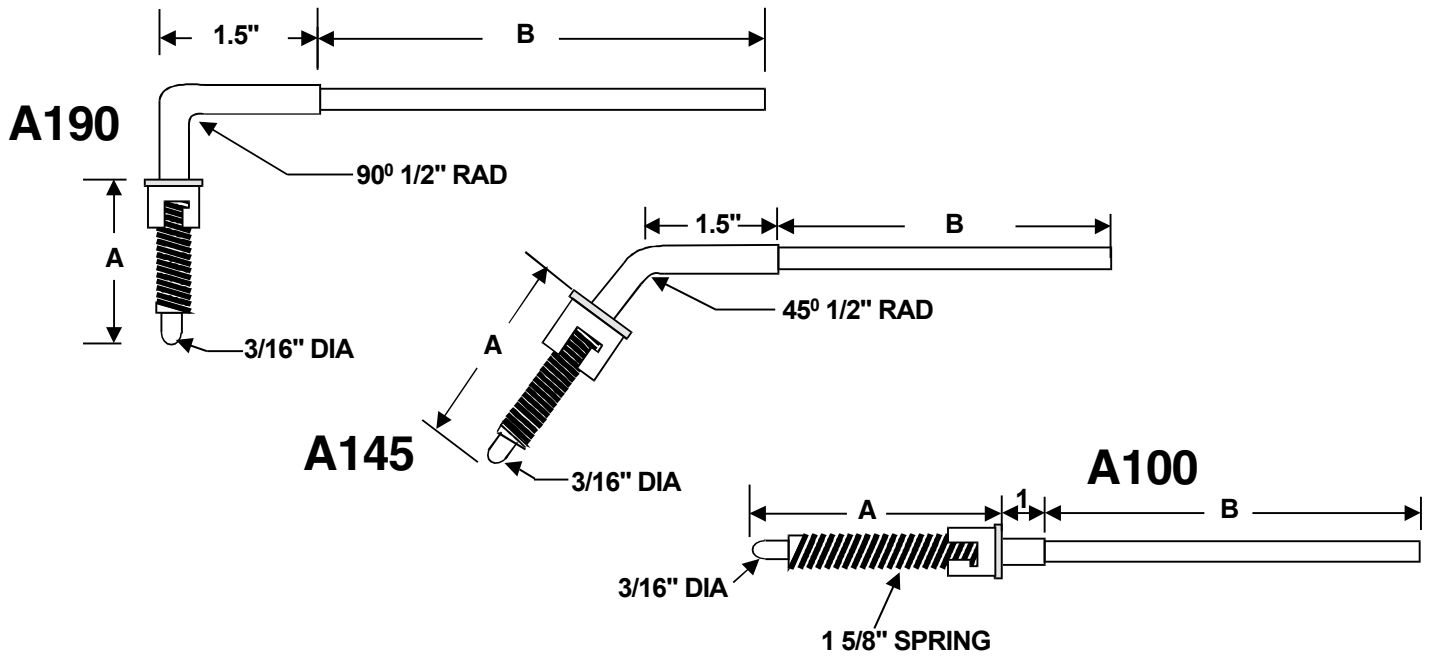
## HOW TO ORDER

	1	2	3	4
<b>A500</b>	<input type="checkbox"/>	<input type="checkbox"/>	<input type="checkbox"/>	<input type="checkbox"/>
<b>A510</b>	1	2	3	4
<b>A300</b>	TYPE	"B" (INCH)	TERMINAL	OPTION
<b>A310</b>	J	48	1	U - UNGROUNDED
	K	60	2	M - METRIC DOUBLEUSLOT C
	RTD	72	3	X - SPECIAL
		96	4	C - NIST TRACABLE
		120	5	B - 1/8" NPT x 7/8" BAYONET ADAPTER

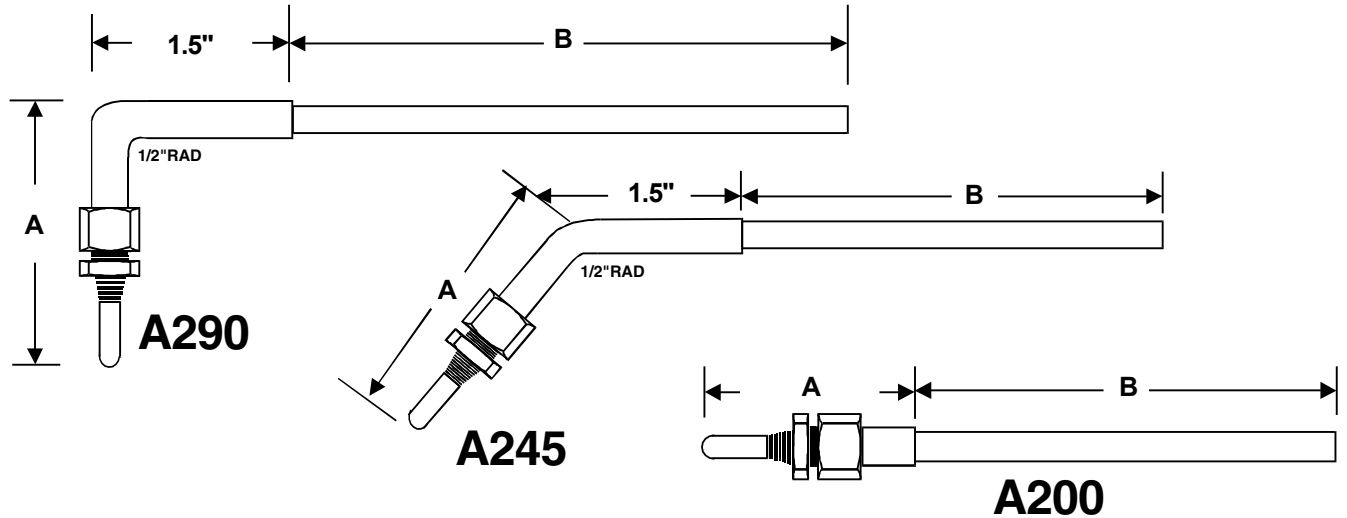
### TERMINATIONS



# FIXED BAYONET THERMOCOUPLES AND RTDs



# FIXED COMPRESSION THERMOCOUPLES AND RTDs

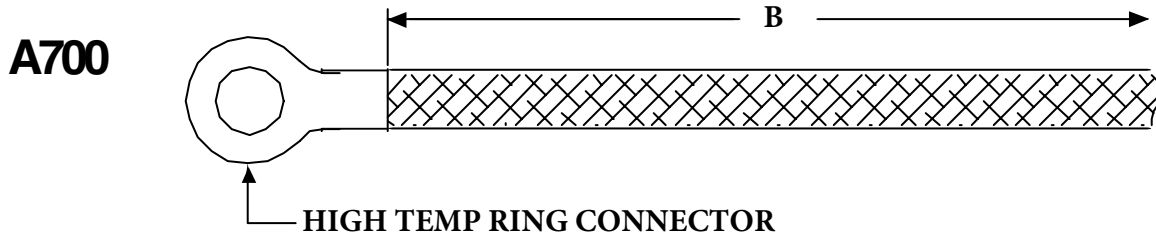


## HOW TO ORDER

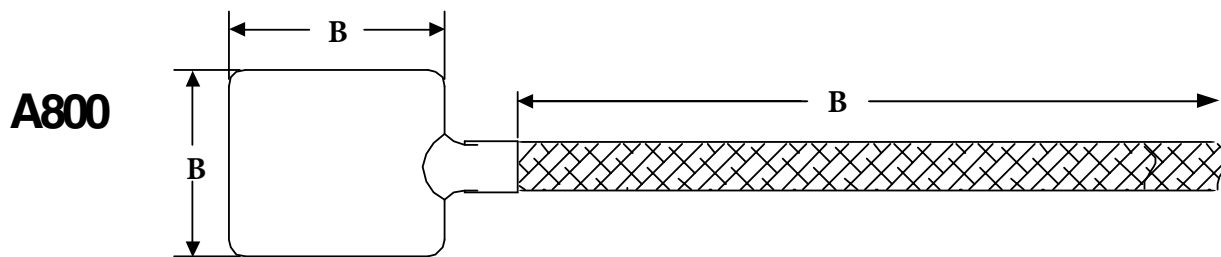
<b>A200</b>	□	□	x □	□	□	□	□	□
<b>A245</b>	1	2A	2B	3	4	5	6	7
<b>A290</b>	TYPE	DIA	"A"	"B"	TERM	LEADS	OPTIONS	OPTIONSNGS
	J	1/8"			1	F	U - UNGROUNDED	N - NO FITTING
	K	3/16"			2	B	X - SPECIAL	S2 - 1/2" SS NPT
	T	1/4"			3	H	N - NONE	S4 - 1/4" SS NPT
	RTD	SPECIAL			4	T	C - NIST TRACABLE	S8 - 1/8" SS NPT
					5	FS		B2 - 1/2" BRASS NPT
								B4 - 1/4" BRASS NPT
								B8 - 1/8" BRASS NPT

<b>A100</b>	□	□	□	□	□	□
<b>A145</b>	1	2	3	4	5	6
<b>A190</b>	TYPE	"A"	"B"	TERM	LEADS	OPTIONS
	J			1	F	U - UNGROUNDED
	K			2	B	X - SPECIAL
	T			3	H	B - 1/8" NPT x 7/8" L BAYONET ADAPTER
	RTD				T	C - NIST TRACABLE
					FS	M - METRIC CAP

# RING TERMINAL THERMOCOUPLE



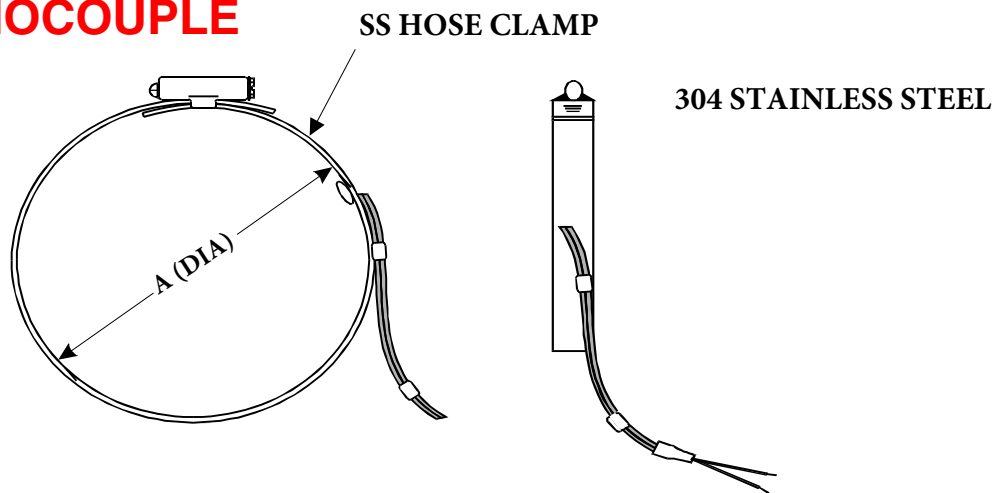
# SHIM STOCK THERMOCOUPLES



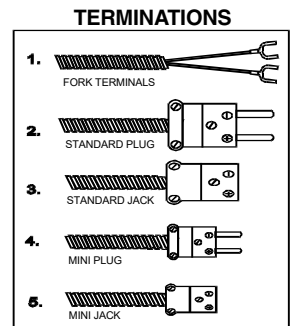
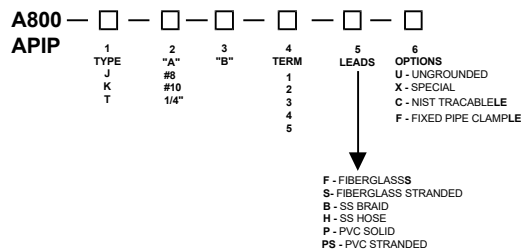
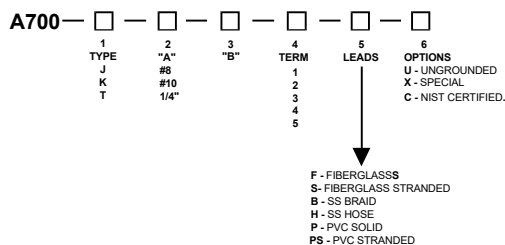
# PIPE CLAMP THERMOCOUPLE

**APIP**

SIZE CODE	RANGE
22	0.22" to 0.62"
31	0.31" to 0.87"
56	0.56" to 1.25"
110	1.10" to 2.00"
155	1.55" to 2.50"
280	2.80" to 3.75"



## HOW TO ORDER



# PLASTIC MELT THERMOCOUPLES & RTDs

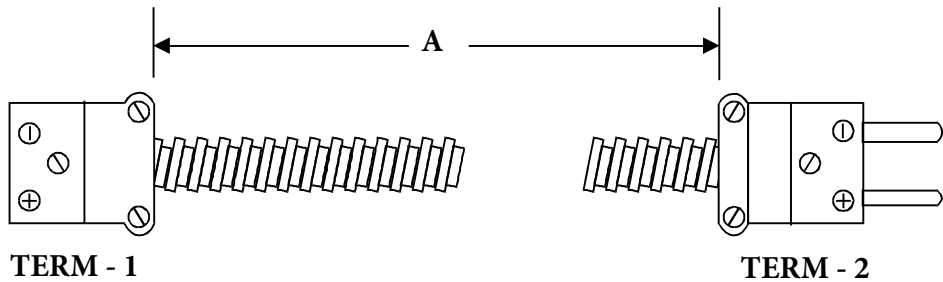


**A400**



## EXTENSION CABLES

**A900**



## HOW TO ORDER

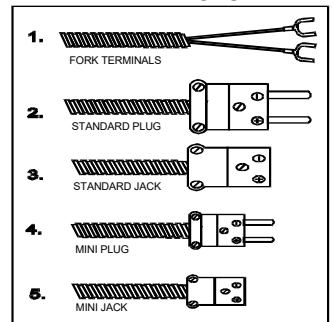
**A400** —  —  —  —  —  —  —

1 TYPE J K T RTD (400°C)	2 "A" 0 1/4" CUSTOM	3 "B" 3" 6" 9" 12"	4 "B"	5 TERM 1 2 3 4 5	6 LEADS N - NONES FS - FIBERGLASS STRANDED F - FIBERGLASS H - SS HOSE B - SS BRAID	6 OPTIONS U - UNGROUNDED X - SPECIAL C - NIST CERTIFIED
---	---------------------------------	-----------------------------------	----------	------------------------------------	--	---

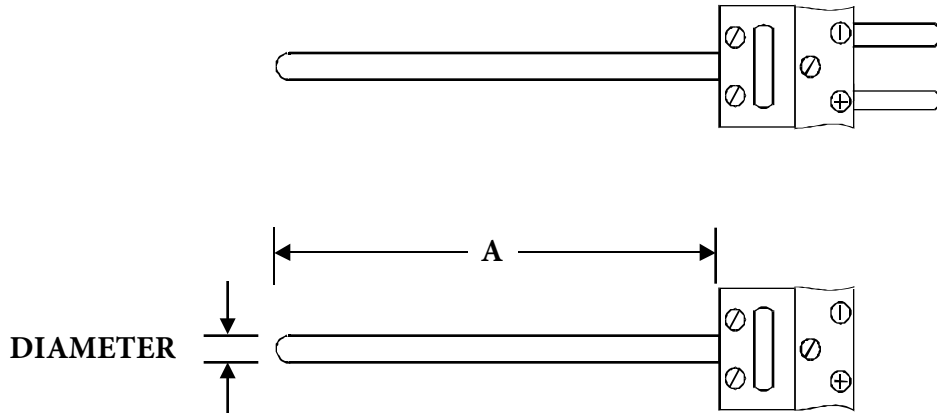
**A900** —  —  —  —  —

1 TYPE J K T RTD	2 "A"	3 LEADS B - SS BRAID FS - FIBERGLASS STRANDED F - FIBERGLASS H - SS HOSE P - PVC SOLID PS - PVC STRANDED	4 TERM - 1 1 2 3 4 5	5 TERM - 2 1 2 3 4 5
---------------------------------	----------	---	--	--

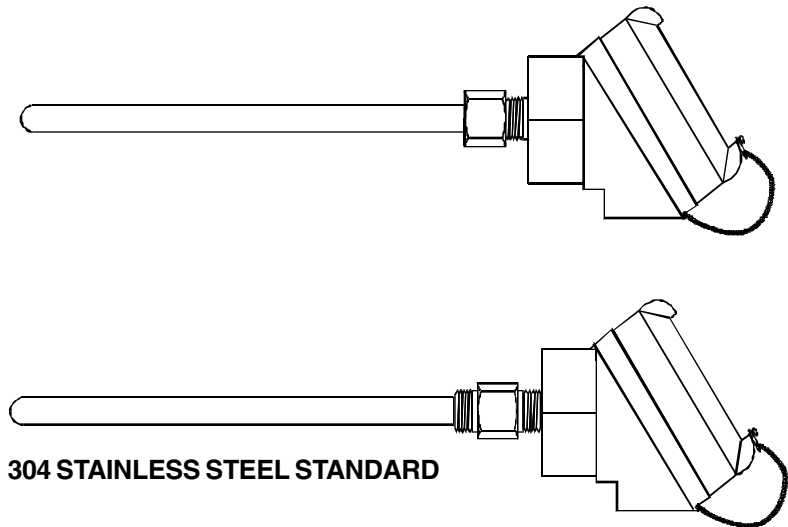
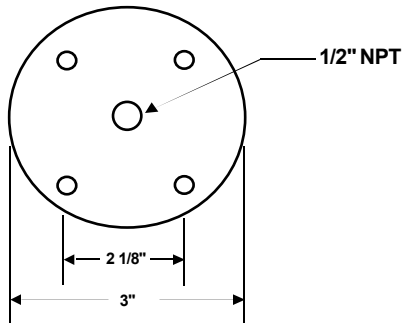
### TERMINATIONS



# MgO INSULATED THERMOCOUPLE & RTDs



## FLANGE MOUNT

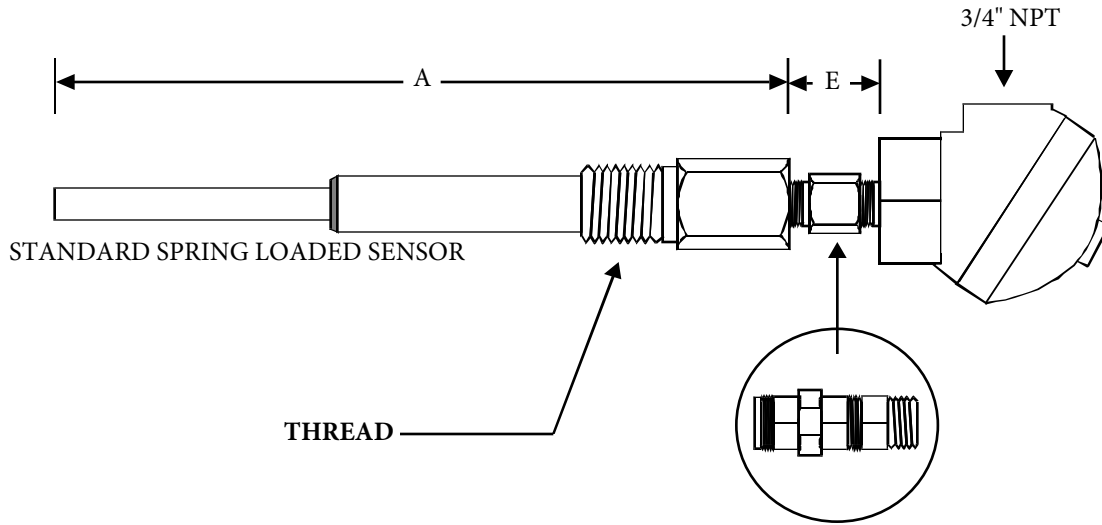


304 STAINLESS STEEL STANDARD

## HOW TO ORDER

A5100	<input type="checkbox"/>	<input type="checkbox"/>	<input type="checkbox"/>	<input type="checkbox"/>	<input type="checkbox"/>	<input type="checkbox"/>	<input type="checkbox"/>
	TYPE	"A"	DIAMETER	JUNCTION	TERMINATION	PROCESS CONNECT	OPTIONS
	J		1/16"	E - EXPOSED	P - MALE PLUG	N - NONE	S - SPRING LOADED
	JJ - DUPLEX		1/8"	G - GROUNDED	F - FEMALE JACK	B2 - 1/2" BRASS NPT	T - TRANSMITTER (RANGE)
	K		3/16"	U - UNGROUNDED	I - CAST IRON	S2 - 1/2" STEEL NPT	1600- INCONEL 600
	KK - DUPLEX		1/4"	3 - 3 WIRE	L - L/G CAST ALU	SS2 - 1/2" SS NPT	1800- INCONEL 800
	T		5/16"	4 - 4 WIRE	AS - SMALL CAST ALU	B4 - 1/4" BRASS NPT	316 - 316 SS
	TT - DUPLEX		3/8"		PL - PLASTIC	S4 - 1/4" STEEL NPT	N - NO TERM BLOCK
	RT2 (200°C)				ALE - CAST ALU EXPLOSION	SS4 - 1/4" SS NPT	TRANSMITTER READY
	RTD2 - DUPLEX (200°C)				FDA - FDA COMPLAINT PLASTIC	FL - FLANGE MOUNT	C - NIST TRACABLE
	SPECIAL				E - EPOXY COATED ALUMINIUM		
	RT4 (400°C)				FDAF - FDA COMPLAINT FLIP TOP		
	RTD4 - DUPLEX (400°C)						

# THERMOCOUPLE & RTD ASSEMBLIES



## THERMOWELLS IN STOCK

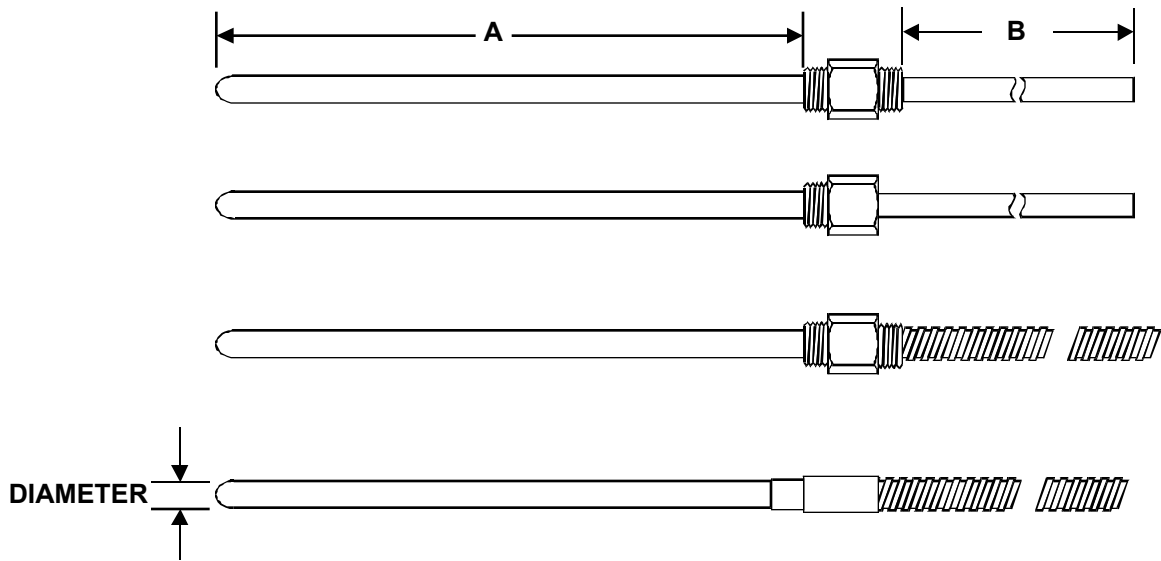
MATERIAL	STEM (A")	PROCESS (in)
304 SS	2.5"	1/2"
304 SS	4"	1/2"
304 SS	6"	1/2"
304 SS	9"	1/2"
304 SS	4"	3/4"
304 SS	6"	3/4"
304 SS	9"	3/4"
304 SS	12"	3/4"
316 SS	4"	1/2"
316 SS	6"	1/2"
316 SS	9"	1/2"
316 SS	6"	3/4"
316 SS	9"	3/4"
BRASS	4"	1/2"
BRASS	6"	1/2"
BRASS	9"	1/2"
BRASS	6"	3/4"
BRASS	9"	3/4"

## HOW TO ORDER

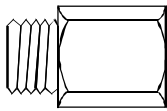
**A4900** —  —  —  —  —  —  —  —  —

<b>SENSOR</b> J JJ - DUPLEX K KK - DUPLEX T TT - DUPLEX RTD (200° C) RTDD - DUPLEX (200° C) SPECIAL RT4 (400° C) RT44 - DUPLEX (400° C)	<b>A (in)</b> 4d .. 8" 10" SPECIAL	<b>MATERIAL</b> B - BRASS S - 304 SS S6 - 316 SS SPECIAL	<b>E (in)</b> 1" - STANDARD 4" 6" 8" 10" SPECIAL	<b>THREAD</b> 1/2" 3/4" SPECIAL	<b>JUNCTION</b> E - EXPOSED G - GROUNDED U - UNGROUNDED 3 - 3 WIRE 4 - 4 WIRE	<b>HEAD MATERIAL</b> I - CAST IRON AL - ALUMINIUM CAST LARGE AS - ALUMINIUM CAST SMALL PL - PLASTIC ALE - ALUMINIUM CAST EXPLOSION FDA - FDA COMPLIANT PLASTIC E - EPOXY COATED ALUMINIUM FDAF - FDA COMPLIANT FLIP TOP	<b>OPTIONS</b> T - TRANSMITTER (RANGE) U - SEPERATE UNION & NIPPLE C - NIST TRACABLE N - NO TERM. BLOCK TRANSMITTER READY
--	---	--	---	--	--	---	--

# MgO INSULATED THERMOCOUPLE & RTDs - EXTENSION STYLE

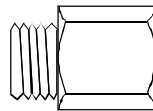


**304 STAINLESS STEEL STANDARD  
STANDARD POTTING - 350°F**



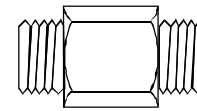
## HEX BUSHING - PROCESS THREAD

- SD1 - 1/8" NPT STAINLESS
- SD2 - 1/4" NPT STAINLESS
- SD3 - 1/2" NPT STAINLESS
- SD4 - 3/4" NPT STAINLESS
- BD1 - 1/8" NPT BRASS
- BD2 - 1/4" NPT BRASS
- BD3 - 1/2" NPT BRASS
- BD4 - 3/4" NPT BRASS



## HEX BUSHING - INSTRUMENT THREAD

- SB1 - 1/8" NPT STAINLESS
- SB2 - 1/4" NPT STAINLESS
- SB3 - 1/2" NPT STAINLESS
- SB4 - 3/4" NPT STAINLESS
- BB1 - 1/8" NPT BRASS
- BB2 - 1/4" NPT BRASS
- BB3 - 1/2" NPT BRASS
- BB4 - 3/4" NPT BRASS

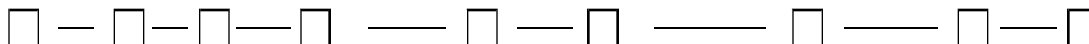


## HEX COUPLING

- SS1 - 1/4" NPT STAINLESS
- SS2 - 1/2" NPT STAINLESS
- S1 - 1/4" NPT STEEL
- S2 - 1/2" NPT STEEL

## HOW TO ORDER

**A5100**



**SENSOR**  
J  
JJ - DUPLEX  
K  
KK - DUPLEX  
T  
TT - DUPLEX  
RTD (200° C)  
RTDD - DUPLEX (200° C)  
SPECIAL  
RT4 (400° C)  
RT44 - DUPLEX (400° C)

**A**

**DIAMETER**  
1/16"  
1/8"  
3/16"  
1/4"  
5/16"  
3/8"

**JUNCTION**  
E - EXPOSED  
G - GROUNDED  
U - UNGROUNDED  
3 - 3 WIRE  
4 - 4 WIRE

**B (in)**

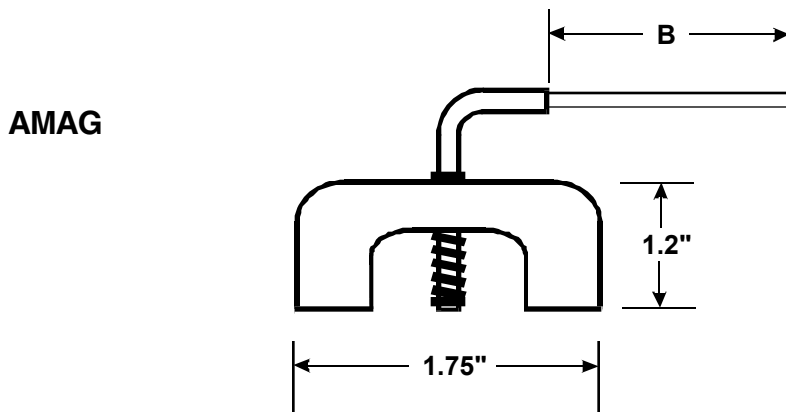
**WIRE**  
GB - FIBERGLASS  
SB - SS BRAID  
FH - FLEX HOSE  
TT - TEFLON STRANDED  
P - PVC SOLID  
PS - PVC STRANDED

**TERMINATION**  
P - MALE PLUG  
F - FEMALE JACK  
MP - MINI PLUG  
MF - MINI JACK  
SL - SPADE LUGS  
ST - STRIP LEADS

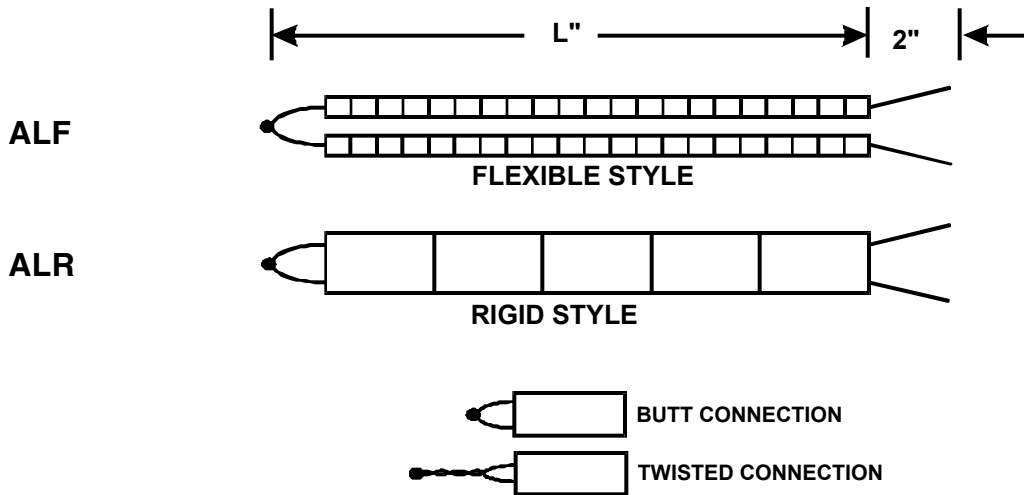
**FITTINGS**  
N - NONE  
SEE ABOVE

**OPTIONS**  
1600 - INCONEL 600  
1800 - INCOLOY 800  
316 - 316 SS  
C - NIST CERTIFIED  
H 1500F POTTING CERAMIC  
NM - NON MI DESIGN

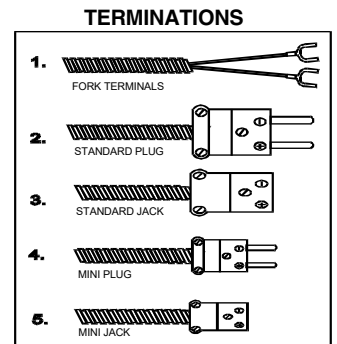
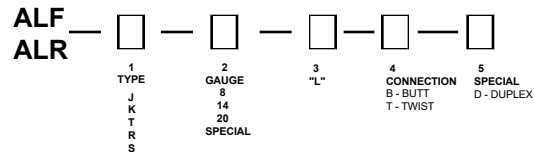
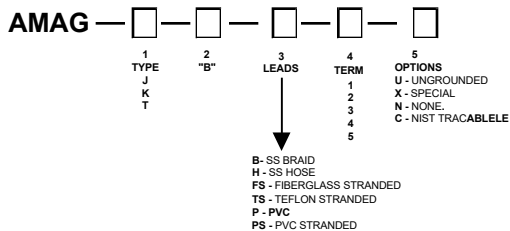
# MAGNET STYLE THERMOCOUPLE



# THERMOCOUPLE ELEMENTS

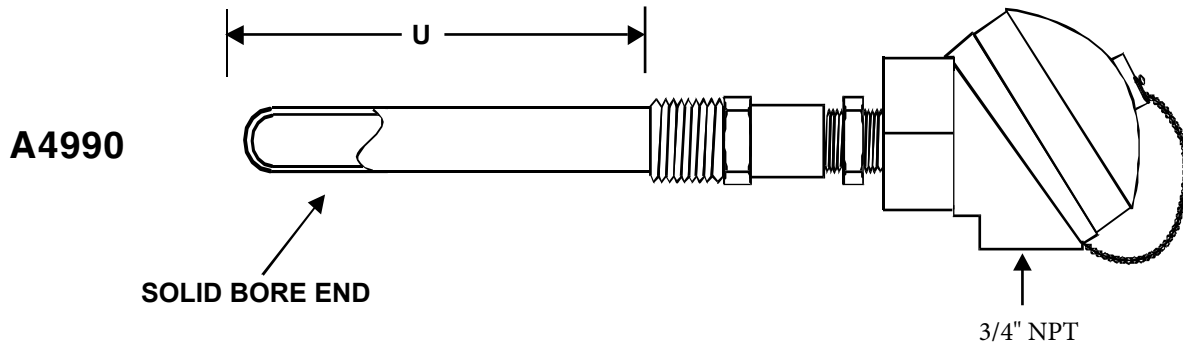


# HOW TO ORDER

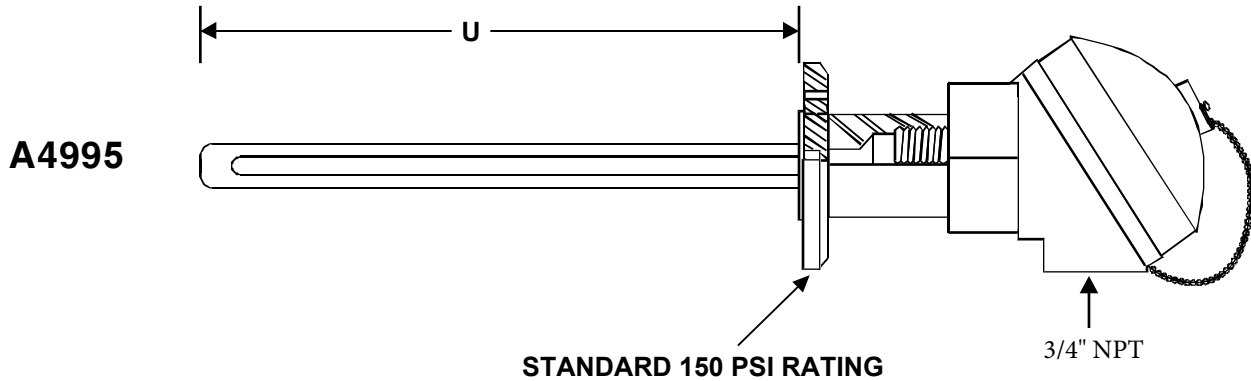




# PIPE WELL THERMOCOUPLE & RTD ASSEMBLIES

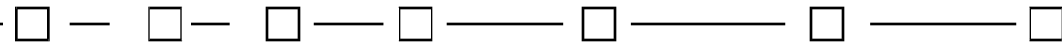


# FLANGE THERMOWELL SENSOR ASSEMBLIES



## HOW TO ORDER

A4990  
A4995



**SENSOR**  
J 4"  
JJ - DUPLEX 6"  
K 8"  
KK - DUPLEX 10"  
T SPECIAL  
TT - DUPLEX  
RTD (200° C)  
RTDD - DUPLEX (200° C)  
SPECIAL  
RT4 (400° C)  
RT44 - DUPLEX (400° C)

**U (in)**  
4"  
6"  
8"  
10"  
SPECIAL

**MATERIAL**  
ST - STEEL  
S - 304 SS  
S6 - 316 SS  
I600 - INCONEL 600  
I800 - INCOLOY 800  
SPECIAL

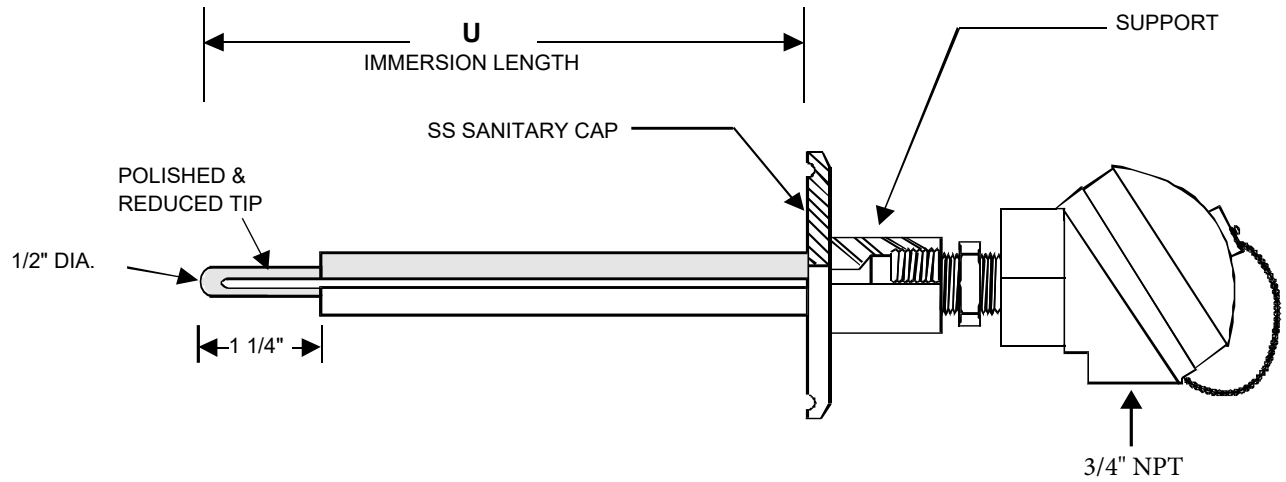
**THREAD / FLANGE**  
1/4"  
1/2"  
3/4"  
1.0"  
1F - 1" FLANGE  
1.5F - 1.5" FLANGE  
2F - 2" FLANGE

**JUNCTION**  
G - GROUNDED  
U - UNGROUNDED  
3 - 3 WIRE  
4 - 4 WIRE

**HEAD MATERIAL**  
I - CAST IRON  
AL - LARGE CAST ALU  
AS - SMALL CAST ALU  
PL - PLASTIC HEAD  
PL - PLASTIC HEAD  
ALE - CAST ALU. EXPLOSION  
FDA - FDA COMPLIANT PLASTIC  
E - EPOXY COATED ALUMINIUM  
FDAF - FDA COMPLIANT FLIP TOP

**OPTIONS**  
T - TRANSMITTER (RANGE)  
S - SPRING LOADED  
U - UNION & NIPPLE  
3 - 300 PSI FLANGE  
6 - 600 PSI FLANGE  
C - NIST TRACEABLE  
N - NO TERMINAL BLOCK  
TRANSMITTER READY

# SANITARY TRI-CLAMP ASSEMBLIES



## HOW TO ORDER

A4950 —  —  —  —  —  —  —

**SENSOR**

J  
 JJ - DUPLEX  
 K  
 KK - DUPLEX  
 T  
 TT - DUPLEX  
 RTD (200° C)  
 RTDD - DUPLEX (200° C)  
 SPECIAL  
 RT4 (400° C)  
 RT44 - DUPLEX (400° C)

**U (in)**

4"  
 6"  
 8"  
 10"  
 SPECIAL

**JUNCTION**

G - GROUNDED  
 U - UNGROUNDED  
 3 - 3 WIRE  
 4 - 4 WIRE

**HEAD MATERIAL**

I - CAST IRON  
 AL - LARGE CAST ALUMINIUM  
 AS - SMALL CAST ALUMINIUM  
 PL - PLASTIC HEAD  
 ALE - CAST ALU. EXPLOSION  
 FDA - FDA COMPLIANT PLASTIC  
 E - EPOXY COATED ALUMINIUM  
 FDAF - FDA COMPLIANT FLIP TOP

**CAP SIZE**

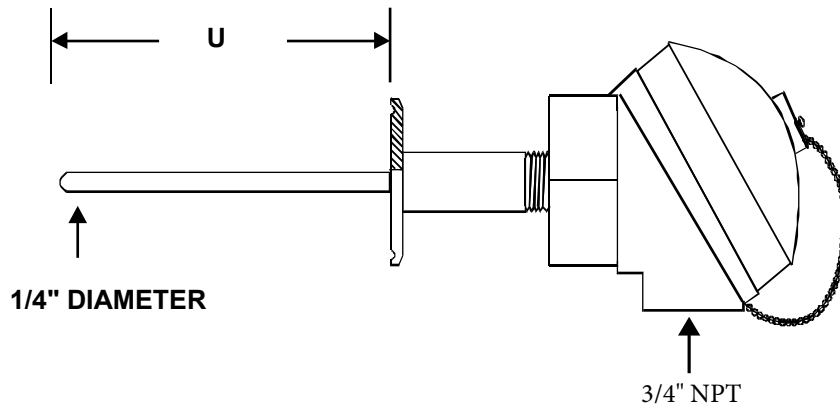
1.5"  
 2"  
 3"  
 4"

**OPTIONS**

T - TRANSMITTER (RANGE)  
 S - SPRING LOADED  
 U - UNION & NIPPLE  
 C - NIST TRACEABLE  
 N - NO TERMINAL BLOCK  
 TRANSMITTER READY

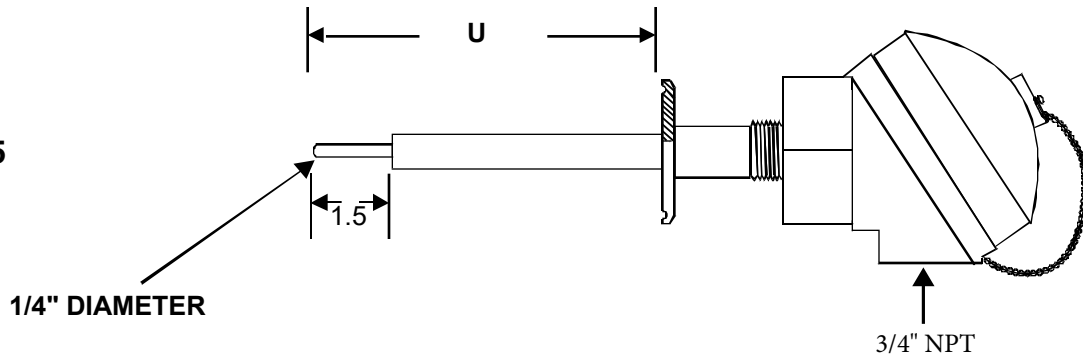
## CIP SANITARY CONNECTED RTDs

A4940



## CIP SANITARY REDUCED TIP RTD'S

A4945

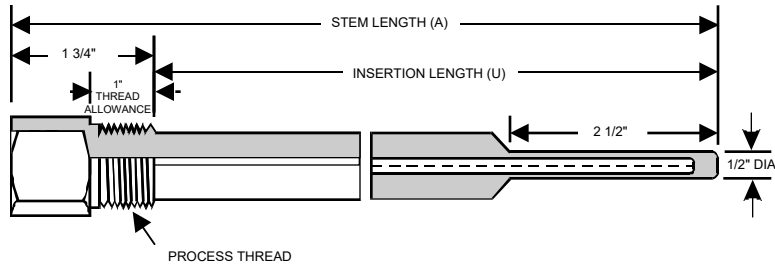


## HOW TO ORDER

A4940  
A4945

SENSOR	U (in)	JUNCTION	HEAD MATERIAL	CAP SIZE	OPTIONS
J	4"	G - GROUNDED	AL - LARGE CAST ALUMINIUM	1.5"	T - TRANSMITTER (RANGE)
JJ - DUPLEX	6"	U - UNGROUNDED	PL - PLASTIC HEAD	2"	U - UNION & NIPPLE
K	8"	3 - 3 WIRE	FDA - FDA COMPLIANT PLASTIC	3"	C - NIST TRACEABLE
KK - DUPLEX	10"	4 - 4 WIRE	E - EPOXY COATED ALUMINIUM	4"	N - NO TERMINAL BLOCK
T	SPECIAL		FDAF - FDA COMPLIANT FLIP TOP		TRANSMITTER READY
TT - DUPLEX					
RTD (200° C)					
RTDD - DUPLEX (200° C)					
SPECIAL					
RT4 (400° C)					
RT44 - DUPLEX (400° C)					

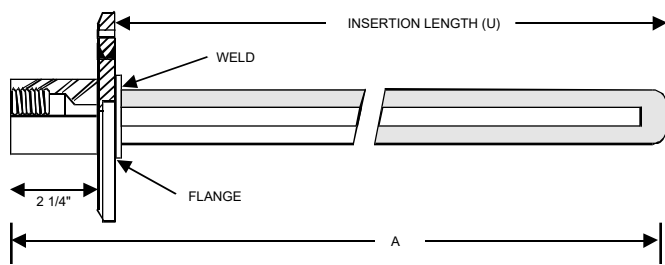
# DRILLED THERMOWELL - THREAD CONNECTION T-SERIES



T —  —  —  —

MATERIAL	STEM A (in)	PROCESS CONNECT	INST. CONNECT
B - BRASS	2"	1/2 - 1/2" NPT	1/2 - 1/2" NPT
S - SS304	4"	3/4 - 3/4" NPT	3/4 - 3/4" NPT
S6 - SS316	6"	1 - 1" NPT	SPECIAL
SPECIAL	9"	SPECIAL	SPECIAL

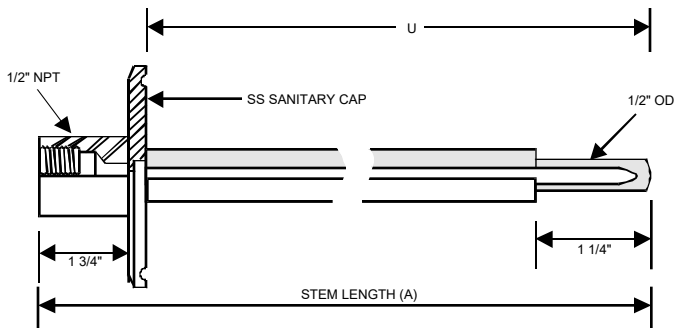
# DRILLED THERMOWELL - FLANGED CONNECTION TF-SERIES



TF —  —  —  —  —

MATERIAL	STEM A (in)	FLANGE	INST. CONNECT	PRESSURE RATING
S - SS304	2"	1"	1/2"	150 PSI
S6 - SS316	4"	1 1/2"	3/4"	300 PSI
SPECIAL	6"	2"	1"	600 PSI
	9"	SPECIAL		

# SANITARY TRI-CLAMP THERMOWELL SAN-SERIES



SAN —  —

CAP SIZE	STEM A (in)
1.5"	4"
2"	6"
2.5"	7.5"
3"	SPECIAL
SPECIAL	